

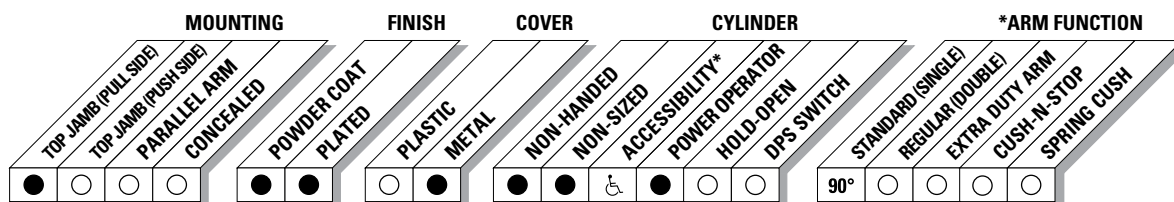


The 4810 AUTO EQUALIZER™ is LCN's pneumatically powered MULTIDOOR solution. This low-energy automatic operator provides easy access for people with disabilities, or the elderly. Designed primarily for manual opening applications that occasionally require automatic opening.

Certifications	Grade 1 - ANSI A117.1, A156.19, UL 10C 228, ADA, 100 Hour Salt Spray, Meets BAA - Buy American Act	Cover	Metal, standard
Body Construction	<ul style="list-style-type: none"> ■ Cast Iron Body ■ Full Complement Bearing ■ 1-1/2" Diameter Piston ■ 3/4" Diameter Double Heat Treated Pinion Journal 	Fasteners	Wood and machine screws
Fluid	All Weather Fluid	Mounting	Top jamb (Pull Side)
Handing	Handed	Arms	Single lever arm with standard track
Size	Adjustable Spring Size 1-4	Finishes/Colors/ Powder Coat	<ul style="list-style-type: none"> ■ Aluminum (689) ■ Statuary Bronze (690) ■ Light Bronze (691) ■ Black (693) ■ Dark Bronze (695) ■ Brass (696) ■ Custom colors optional
Warranty	2 years		<ul style="list-style-type: none"> ■ Optional SRI primer - powder coat only ■ Optional plated finishes

**Special
Templates**

Customized installation templates or products may be available to solve unusual applications. Contact LCN Product Support for assistance.



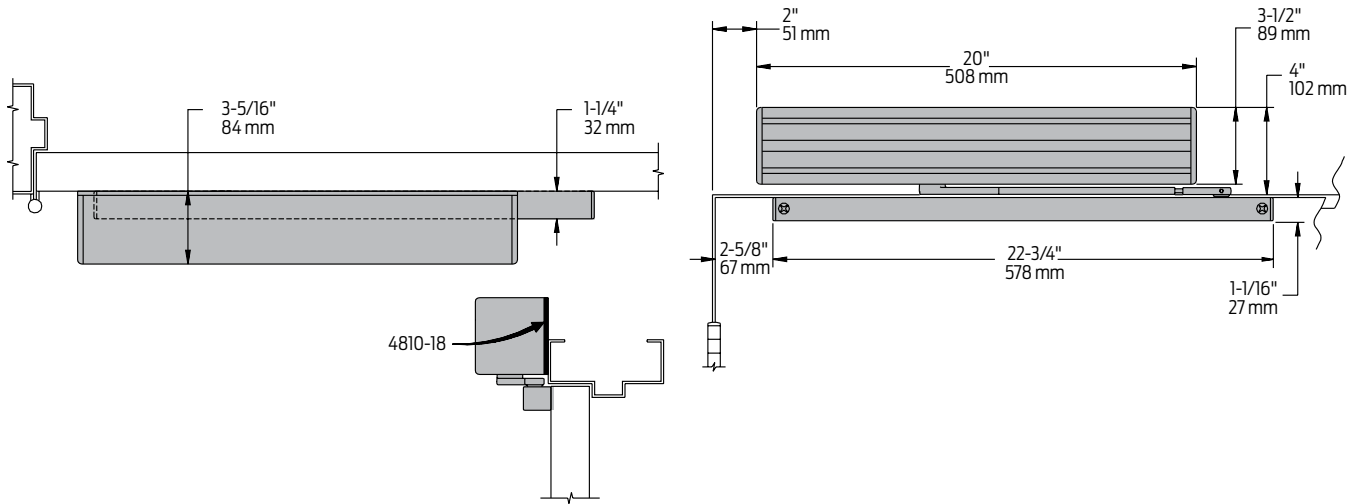
● AVAILABLE
○ NOT AVAILABLE

♿ Meets ADA requirements (power mode).
* See individual series for maximum manual opening.

4810 Series Auto Equalizer

Mounting details

Top Jamb (Pull Side) Mounting



Butt Hinges	Should not exceed 5" (127 mm) in width
Auxiliary Stop	Recommended
Reveal	Should not exceed 1/8" (3 mm)
Head Frame	Minimum 2" (51 mm)
Top Rail	Minimum 1-1/8" (29 mm)
System Diagram	See "AUTOMATIC OPERATORS" section pages 7-8 for typical system wiring, and pages 28-29 for electrical and pneumatic data for control boxes
Maximum opening	<ul style="list-style-type: none"> ■ Templating allows 90° power opening and 170° manual opening ■ Please note that many track style door closers are capable of allowing 180° of door swing ■ Track style closers are at their weakest closing force at 180° ■ Consult factory for applications where exterior or large/heavy door must swing 180°

Notes:

- Multi-door solution utilizing 10,000,000 cycle heavy duty door closer
- Requires control box with integral compressor or control box using auxiliary air supply
- See CONTROL BOX pages 28-29 and actuators and accessories, pages 115-131
- Guard rails/safety mats not required

Cylinders



4811-3971
Cast Iron Cylinder Assembly

- Non-handed
- Standard



4811-3071
Cast Iron Cylinder Assembly

- Non-handed
- Mounting plate
- Standard

Cover



4810-72MC
Metal Cover

- Non-handed
- With black end caps
- Standard

Track



4810-3038
Standard Track

- Non-handed
- Will not accept hold open clip or bumper assembly
- Standard

Arm



4810-3077T
Standard Arm

- Non-handed
- Track roller not included with arm

Installation Accessories



4810-3034
Track Roller

- Quiet low friction roller assembly
- Shoulder dimension "X" = 1/8" (3mm)

How-to-order 4810 Series

Specify finish

- Standard Powder Coat _____
Aluminum, Dark Bronze, Statuary, Light Bronze, Black, Brass

Closer options

Finishes

- Custom Powder Coat (RAL)- _____
- Plated Finish, US- _____

Screw pack

- TB*, Wood & Machine Screw (TBWMS)
*Specify door thickness if other than 1-3/4"

Special template

- ST- _____

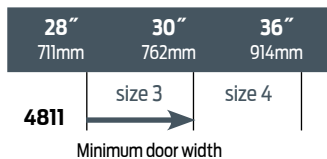
Closer will be shipped with:

- Standard cylinder
- Standard metal cover
- Standard arm
- Track roller
- Standard track
- Wood and machine screw pack
unless options listed below are selected.

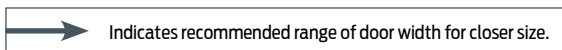
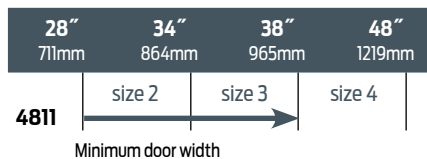
Table of sizes

- Non-sized 4810 Series cylinder is adjustable from size 1 through size 4 and is shipped set to size 3
- Closing power of 4810 Series closers may be increased 50%

Exterior (and Vestibule) door width



Interior door width



NOTE: Minimum door width 28" (711 mm).